

# SCREWS/BOLTS

## DESIGN & MANUFACTURING FOR YOUR OEM REQUIREMENTS

- CUSTOMIZABLE AS PER YOUR DRAWINGS
- SPECIAL FORMS UNDER THE HEAD
- WELD BOLTS
- ETC

## MATERIAL AVAILABLE:

- CARBON STEEL, ALLOY STEEL, BRASS, ALUMINUM, BRONZE, STAINLESS STEEL.



ISO 9001:2015

WYSER



**Wyser International Corp.**

緯聯股份有限公司 717018 台南市仁德區義林南路957號

957, Yilin South Rd. Rende Dist., Tainan City 717018, Taiwan (R.O.C.)

TEL: 886-6-2707957 (REP.)

FAX: 886-6-2709729

E-MAIL: wyser@wyser.com.tw

http://www.wyser.com.tw

# SCREWS/BOLTS

## DESIGN & MANUFACTURING FOR YOUR OEM REQUIREMENTS

- SPECIALS PER YOUR DRAWINGS
- SPECIAL FORMS UNDER THE HEAD
- WELD BOLTS
- ETC

## MATERIAL AVAILABLE:

- CARBON STEEL, ALLOY STEEL, BRASS, ALUMINUM, BRONZE, STAINLESS STEEL.



ISO 9001:2015

WYSER



*Wyser International Corp.*

緯聯股份有限公司 717018 台南市仁德區義林南路957號

957, Yilin South Rd. Rende Dist., Tainan City 717018, Taiwan (R.O.C.)

TEL: 886-6-2707957 (REP.)

FAX: 886-6-2709729

E-MAIL: wyser@wyser.com.tw

http://www.wyser.com.tw

# LONG + SHORT & SPECIAL

# SCREWS

PER CUSTOMER'S DRAWINGS

PPAP + SPC PROCESS / DOCUMENTATIONS ARE AVAILABLE

100% SORTED → QUALITY GUARANTEED.



APPROVED TO ISO 9001:2000  
RBG NO UN 20917  
UKAS  
QUALITY  
MANAGEMENT  
045  
ISO 9001:2015

System Status

Part Number: 682582

Spec. Number: 705

Change Number:

DATE: 2-28-07

ITEM NO.	DESCRIPTION	QTY	UNIT	REVISION
1	SCREW	1000	PCS	1
2	SCREW	1000	PCS	1
3	SCREW	1000	PCS	1
4	SCREW	1000	PCS	1
5	SCREW	1000	PCS	1
6	SCREW	1000	PCS	1
7	SCREW	1000	PCS	1
8	SCREW	1000	PCS	1
9	SCREW	1000	PCS	1
10	SCREW	1000	PCS	1
11	SCREW	1000	PCS	1
12	SCREW	1000	PCS	1
13	SCREW	1000	PCS	1
14	SCREW	1000	PCS	1
15	SCREW	1000	PCS	1
16	SCREW	1000	PCS	1
17	SCREW	1000	PCS	1
18	SCREW	1000	PCS	1
19	SCREW	1000	PCS	1
20	SCREW	1000	PCS	1
21	SCREW	1000	PCS	1
22	SCREW	1000	PCS	1
23	SCREW	1000	PCS	1
24	SCREW	1000	PCS	1
25	SCREW	1000	PCS	1
26	SCREW	1000	PCS	1
27	SCREW	1000	PCS	1
28	SCREW	1000	PCS	1
29	SCREW	1000	PCS	1
30	SCREW	1000	PCS	1

WYSER INTERNATIONAL CORP.

WYER CONTROL CHART

DATE: 11-28-06

ITEM NO.: 6825

MATERIAL: 4.8

WIRE DIA: 1.60 mm

NO.	DATE	VALUE	REMARKS
1	11-28-06	1.60	
2	11-28-06	1.60	
3	11-28-06	1.60	
4	11-28-06	1.60	
5	11-28-06	1.60	
6	11-28-06	1.60	
7	11-28-06	1.60	
8	11-28-06	1.60	
9	11-28-06	1.60	
10	11-28-06	1.60	
11	11-28-06	1.60	
12	11-28-06	1.60	
13	11-28-06	1.60	
14	11-28-06	1.60	
15	11-28-06	1.60	
16	11-28-06	1.60	
17	11-28-06	1.60	
18	11-28-06	1.60	
19	11-28-06	1.60	
20	11-28-06	1.60	
21	11-28-06	1.60	
22	11-28-06	1.60	
23	11-28-06	1.60	
24	11-28-06	1.60	
25	11-28-06	1.60	
26	11-28-06	1.60	
27	11-28-06	1.60	
28	11-28-06	1.60	
29	11-28-06	1.60	
30	11-28-06	1.60	

# WYSER



 **Wyser International Corp.**

緯聯股份有限公司 717018 台南市仁德區義林南路957號

957, Yilin South Rd. Rende Dist., Tainan City 717018, Taiwan (R.O.C.)  
 TEL: 886-6-2707957 (REP.) FAX: 886-6-2709729  
 E-MAIL: wyser@wyser.com.tw http://www.wyser.com.tw

# OPEN-DIE PARTS



## DESIGN & MANUFACTURING FOR YOUR OEM REQUIREMENTS

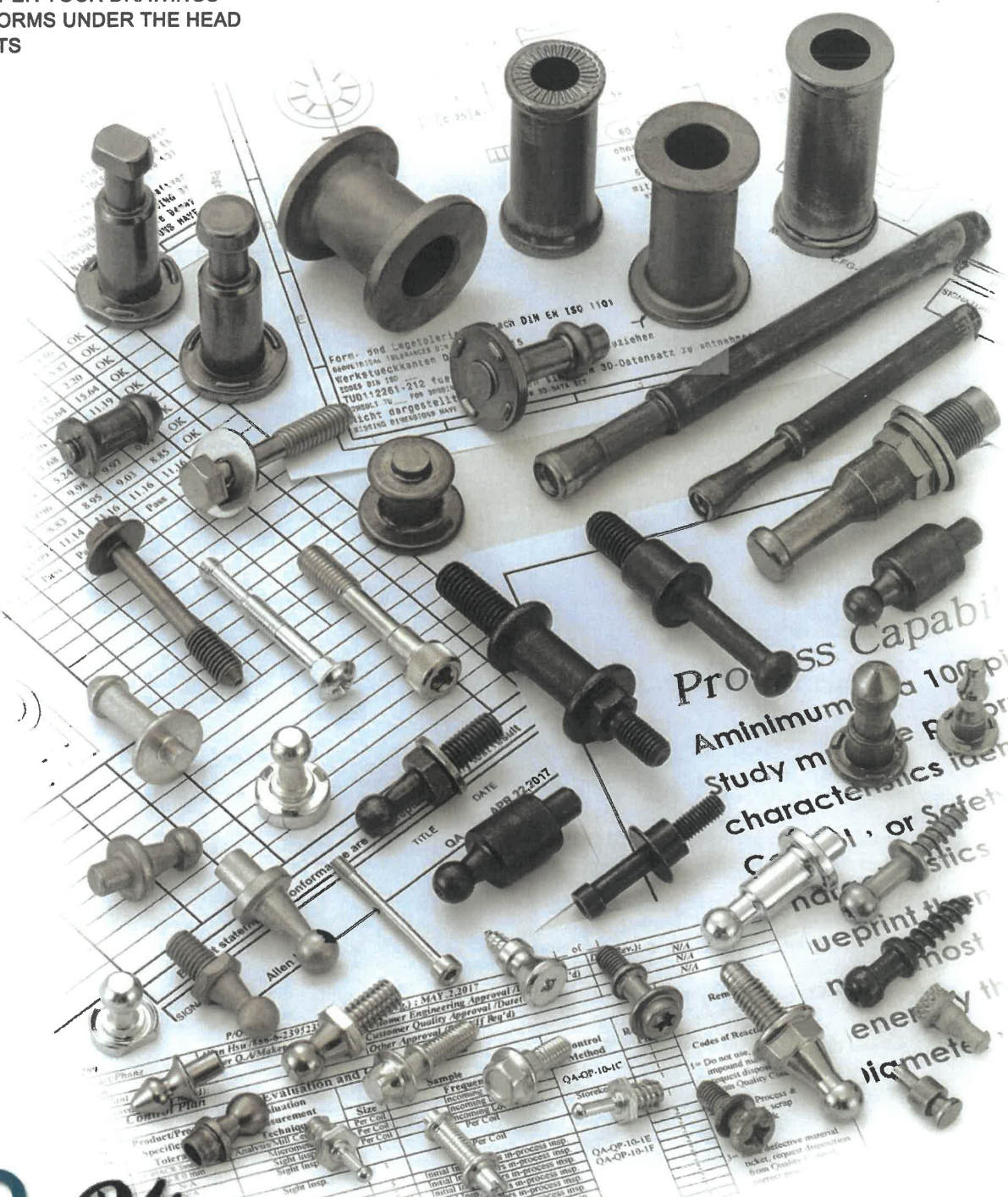
- SPECIALS PER YOUR DRAWINGS
- SPECIAL FORMS UNDER THE HEAD
- WELD BOLTS
- ETC

## MATERIAL AVAILABLE:

- CARBON STEEL, ALLOY STEEL, BRASS,
- ALUMINUM, BRONZE, STAINLESS STEEL.

ISO 9001:2015

WYSER



**Wyser International Corp.**

緯聯股份有限公司 717018 台南市仁德區義林南路957號

957, Yilin South Rd. Rende Dist., Tainan City 717018, Taiwan (R.O.C.)  
 TEL: 886-6-2707957 (REP.) FAX: 886-6-2709729  
 E-MAIL: wyser@wyser.com.tw http://www.wyser.com.tw